

Bakker Magnetics High Intensity Drum Magnets



High Intensity Drum Magnets:

The drum Magnet, also called separation drum, consists of a drum rotating around a static magnet. The material is fed onto the magnetic part of the drum. As the drum rotates past the magnetic field, the attracted metals are forced away from the magnetic field by the idlers and can be collected in a receptacle.

These drum magnets are equipped with extremely powerful magnets which makes them a perfect solution for separating very small iron particles as well as stainless steel. Preferably the drum is fed by a vibrating feeder to ensure an optimal separation result.

The drums are available in diameters of Ø300mm and Ø400 (A) with a standard stainless steel or optional manganese shell if processing abrasive materials. Apart from our standard range of widths we can adapt them to your specific need if necessary.

- Execution Separating drum type TM-HI
 Sturdy construction
 Permanent magnetic
- Drum Stainless steel 1.4301, with idlers
- Surface treatment Untreated
- Magnetic part Magnetic area 180°
 Permanent ceramic magnets quality BM50
 Manually adjustable

Standard axle diameters to fit certain SEW motors (motor; separately available). Bakker Magnetics supplies a complete installation and user manual in English.

On request: Manganese steel shell to protect the drum from impact and abrasive materials.

Standard Version (TM-HI)

Article Number	End Ø dia (inner) (A)	Drum length (B)	Drum length (C)	Total length (D)	End Ø dia (outer) (E)	Weight (kg)
29.810	296	500	400	900	400	156
29.811	296	600	500	1000	400	187
29.812	296	700	600	1100	400	218
29.813	296	900	800	1300	400	280
29.814	296	1100	1000	1500	400	342

Drawing below: Sizes and dimensions (in mm)

High Intensity Separator System:

High Intensity Separator Systems can be fitted with a Ø300 or Ø400mm High Intensity drum to include a SEW engine, vibrating feeder, material splitter and framework on which everything is mounted. Easily installed into the production line or used as a stand-alone system.

These systems are equipped with powerful magnetic drums which make them a perfect solution for separating very small iron particles as well as stainless steel.

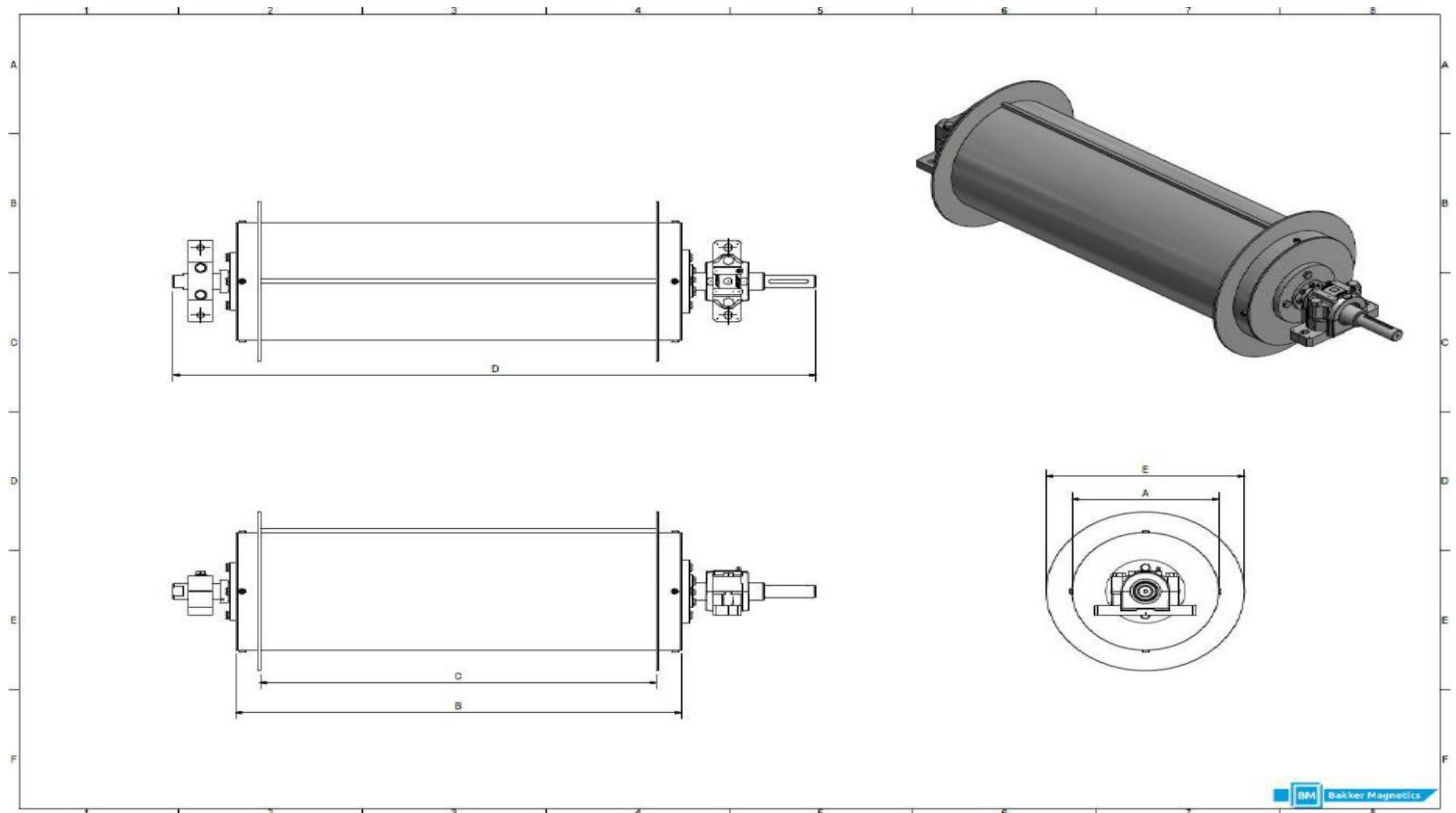
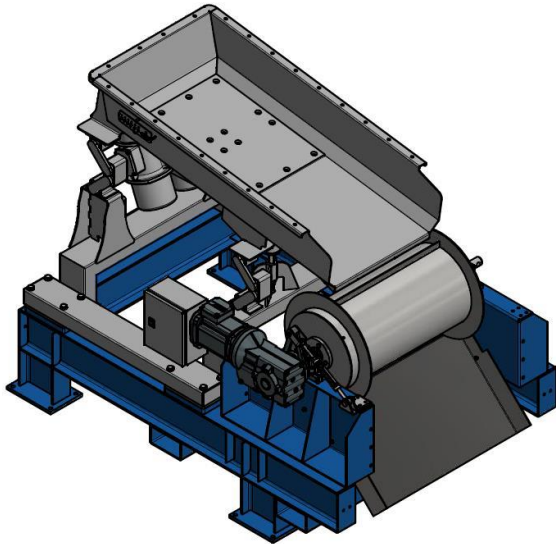
- Drum Stainless Steel 1.4301, with idlers
- Surface Treatment Drum and feeder trough untreated
 Framework painted blue RAL5015
- Magnetic Part Magnetic area 180°
 Permanent ceramic magnets quality BM50
 Manually adjustable

On request:

Manganese steel shell to protect the drum from impact and abrasive materials

Manganese wear plate in the vibrating trough to protect the feeder from impact and abrasive materials.

The magnetic part of the drum is adjustable for optimal adjustment to your situation.



Contact us for more information on this product and product range Tel: **01525 372714** Email: **Sales@LHS.uk.com** Web: **<http://www.LHS.uk.com>**