

5 DIE HANDLING SYSTEMS

5.1 PRE ROLLERS, THE EAS DIE LOADING ARMS SERIES PR AND PR...S

DESCRIPTION

The pre rollers make it very simple to pull out or to push in a die. It also allows the use of a fork lift truck or crane to remove and load the die. Die stoppers at the end of the pre roller will prevent the die from rolling off, but also allows easy loading of the die on the pre rollers. The mounted hook allows the pre roller to be removed from the press if necessary. It also allows the usage of one set of pre rollers for several presses by applying several sets of hooks.

Swivel models type PRS are fixed mounted pre rollers which can be turned away and stored along the press bed. Long pre rollers do feature a roller support in order to carry safely the load over the required distance. On request EAS provide powered rollers as well and other options. Mounting instructions are available from your EAS source.

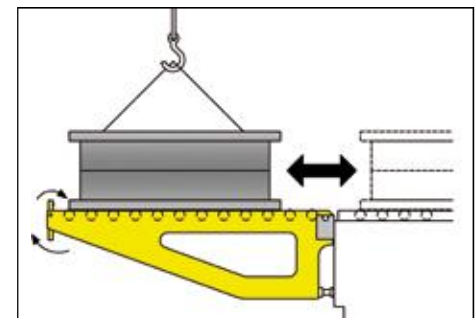
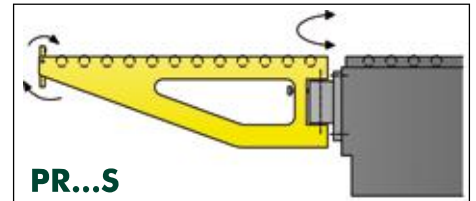
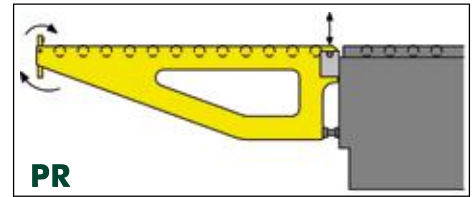


SELECTION CHART

EAS Model Number including 2 pre rollers and 2 mounting blocks	Individual EAS Model Number of 2 mounting blocks	Carrying per 2 set pre rollers Capacity		Length mm	Height	
		kg	kN		Type PR mm	Type PR...S mm
PR 5-500	PRMB 500	500	5	500	200	200
PR 5-800	PRMB 500	500	5	800	200	200
PR 5-1000	PRMB 500	500	5	1000	200	200
PR 10-500	PRMB 1000	1000	10	500	200	200
PR 10-800	PRMB 1000	1000	10	800	200	200
PR 10-1000	PRMB 1000	1000	10	1000	200	200
PR 20-800	PRMB 2000	2000	20	800	250	320
PR 20-1000	PRMB 2000	2000	20	1000	250	320
PR 20-1250	PRMB 2000	2000	20	1250	250	320
PR 30-1000	PRMB 3000	3000	30	1000	400	420
PR 30-1250	PRMB 3000	3000	30	1250	400	420
PR 40-1000	PRMB 4000	4000	40	1000	400	420
PR 40-1250	PRMB 4000	4000	40	1250	400	420
PR 60-1300	PRMB 6000	6000	60	1300	on req.	n.a.
PR 60-1600	PRMB 6000	6000	60	1600	on req.	n.a.
PR 60-2000	PRMB 6000	6000	60	2000	on req.	n.a.
PR 70-1450	PRMB 7000	7000	70	1450	on req.	n.a.
PR 80-1200	PRMB 8000	8000	80	1200	on req.	n.a.
PR 80-1600	PRMB 8000	8000	80	1600	on req.	n.a.
PR 80-2000	PRMB 8000	8000	80	2000	on req.	n.a.
PR 100-2000	PRMB 10000	10000	100	2000	on req.	n.a.

Other capacity and length on request.

Double switch versions on request



Mounting information: ask EASchangesystems

