

Mold change tables & cars

UK



Time saving
solutions

www.EASchangesystems.com

→ 15-ton mold changed in less than 50 seconds

The complete mold changeover operation on this 1300-ton injection molding machine takes less than 50 seconds.

The 15-ton mold is loaded and unloaded with the help of an EASchangesystems mold change table, installed on each side of the injection molding machine.

The injection molding machine is fitted with EASchangesystems' hydraulic clamping cylinders, an ejector coupler, a mold centering cylinder, driven rollers and automatic multi couplers. The mold change tables are equipped with driven rollers and multi couplers to preheat the molds.



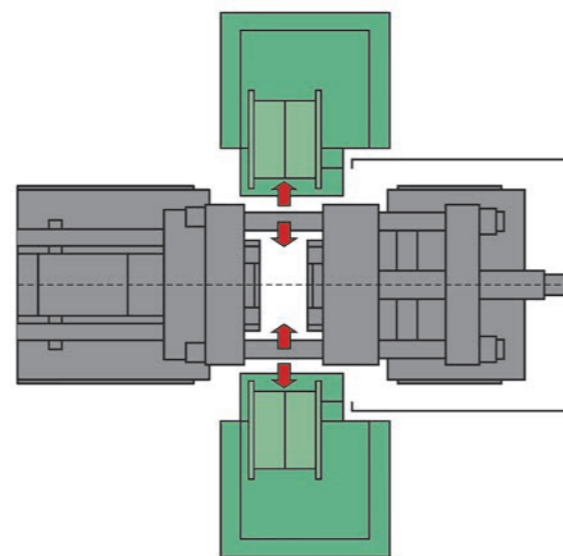
Mold Change Tables

Transfer tables enable quick, economic and safe side-changing of molds. The mold change system is custom designed to fit your specific process.

Depending on the size of the molds, mold transfer methods range from manual to fully automated. Using our mold transfer systems, your molds are positioned with speed and precision.

Even more flexibility is obtained when using mobile mold change carts. A semi or fully automated system offers higher machine availability, increased operator security and lower production costs.

The modular design gives room for multiple configurations and optimizing production units by integrating preheating and cooling stations. A fast and hassle-free connection of all the utilities you already have at hand.



Mold change transportation systems

Whether you opt for a rail guided wagon or a freely movable solution like our battery driven carts or air floating mold change cars, every situation can be met with a customized solution.

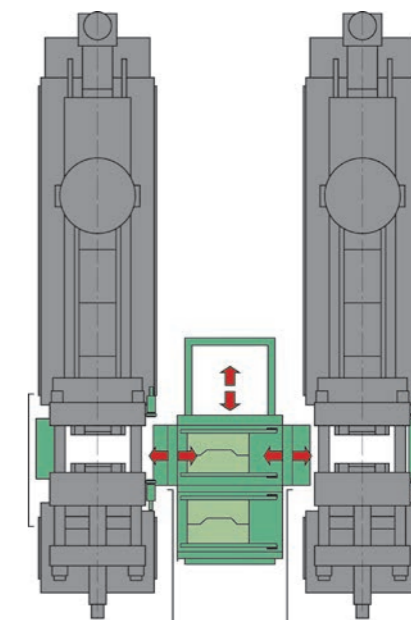
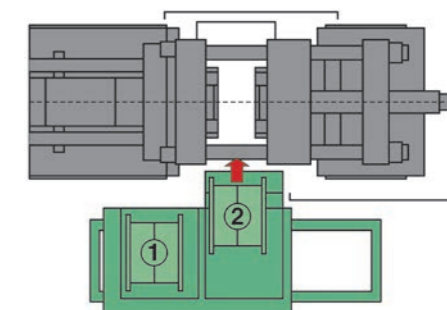
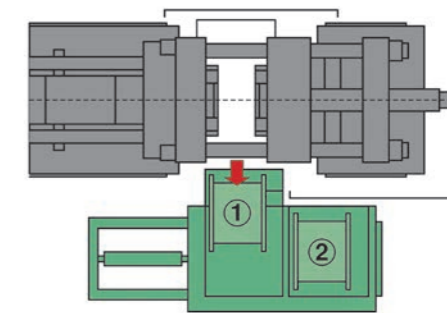
Single or double

A mold change table facilitates safe and quick mold loading. The single mold change table holds one mold and can be used on one machine only, or alternate between two machines. This basic model is capable of holding one single mold.

A double mold change table can save valuable space by holding two molds. Like the single model, this table can be installed on one side of your machine, or in between two machines, increasing productivity on both.

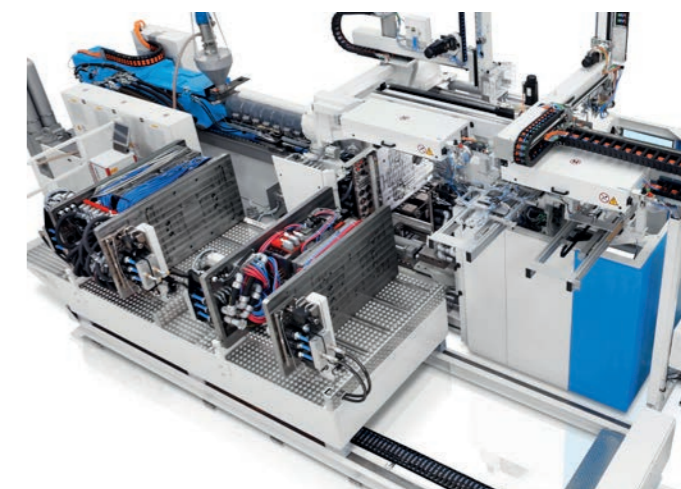
Operating platform

To keep full and safe access the mold change system can be expanded with an operating platform. Convenient to reach the operating system on that side, if there's need for maintenance, or when heating the molds manually.



EASchangesystems' mold change tables and cars are:

- Safe
- Durable
- Service-friendly
- Modular
- Straightforward installation



→ Maximize flexibility and productivity

Stationary, on rails or free-moving

Lined up machines make the ideal setup for a mold change system on rails. This enables fully automated loading and unloading of the machines. The rail-based system can be setup to carry one or two molds.

Instead of using different mold change tables for each machine, fully integrated mold change transportation systems can serve multiple machines on different locations of your facility. Free moving cars give maximum flexibility, especially when battery driven. For maximum freedom of movement with heavy molds, we offer the strength of the air cushioned floating cart.



Laser sharp

Thanks to our special Laser-defined positioning the mold change table is outlined at the perfect position for every task along the track.



Complete solutions from one source

EASchangesystems offers you a modular design, leaving you maximum freedom. Optimize your system step-by-step with our smart and cost-effective solutions.

Driven roller or push/pull

Depending on the size of your molds and the number of machines, you can opt for to more automation in loading precision. Have your molds loaded and positioned fast, precise and secure using an overhead or a telescopic push/pull system, which is even faster. Most efficient loading is done by driven rollers.

Preheating and cooling

Warming up the molds outside the machine saves a lot of downtime. A preheated mold is instantly ready for production, thus giving you higher production rates. Preheating and cooling can either be integrated in the mold change system, or in separate storage.

Storage

Keep your molds safe and organized in storage racks, saving room in your production area. EASchangesystems offers modular storage systems ranging from a single entry to a fully automated solution.

Mold coding

Whether it's for identification purposes, or expanded control by reading mold data, mold coding can be integrated in the system. Safeguarding all steps in the process, helping you stay ahead.

Reliable and solid

With further in-house development we have created even more added value to our mold change tables. Instead of using multiple driving mechanisms per table, our tables are engineered in such a way that the chain transmissions of multiple tables are operated using just one drive.

Efficient and cost-effective thanks to a solid, reliable system.

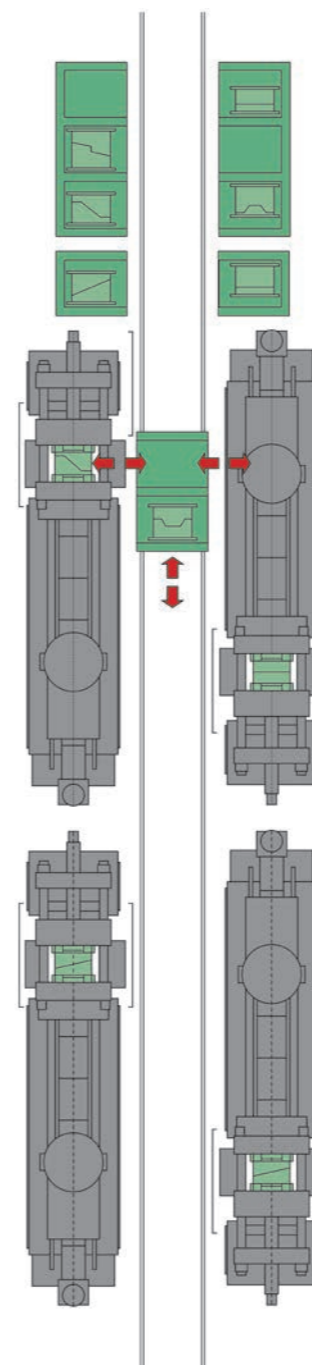


→ Improving overall working conditions

Single Minute Exchange of Die (SMED)

Single Minute Exchange of Die (SMED) is one of the many lean production methods for reducing waste in a manufacturing process. It provides a rapid and efficient way of converting a manufacturing process from running the current product to running the next product. This rapid changeover is key to reducing production lot sizes and thereby improving flow.

Using our mold transfer systems ensures safer set-ups, eliminates confusion and improves overall working conditions. Combining years of expertise with the drive to help you streamline your production, we offer you the most efficient mold changing system.



Everything from one source

EASchangesystems offers quick clamping and quick changing systems for plastic injection molding machines (QMC) and metal stamping presses (QDC), as well as multi coupler solutions. The company also offers consulting and engineering expertise to ensure maximum machine productivity.

Designed and built for integration into existing as well as new equipment (OEM), our solutions include:

- Clamping systems :
 - mechanical
 - hydraulic
 - magnetic
- Ejector couplers
- Mono & multi coupler systems
- Mold change tables & transportation vehicles
- Inspection & mold tilting units
- Die lifters
- Pre-rollers
- Project management
- Application engineering
- System installation
- Service and maintenance
- ROI calculations

Europe/The Netherlands

EAS Europe B.V.

De Hooge Hoek 19A / 3927 GG Renswoude
phone: +31 318 477 010 / The Netherlands
info@EASchangesystems.com

USA

EAS Mold & Die Change System, Inc.

N50 W13740 Overview Dr Suite F / Menomonee Falls, WI 53051
PO Box 1614 / Milwaukee WI 53201
phone: +1 262 783 7955 / United States of America
easus@EASchangesystems.com

France

EAS France S.A.R.L.

604, Voie Galilée / ZI Alpespace
73800 Sainte Hélène-du-Lac
phone: +33 4 79 65 04 10 / France
easfr@EASchangesystems.com

China

Suzhou EAS Mold & Die Change Systems Co. Ltd.

No.1188 Pangjin Road / Wujiang City / 215200
phone: +86 51 26 30 91 / PR China
sales-china@EASchangesystems.com

Italy

EAS MED S.r.L.

Via J. F. Kennedy, 19/C2 / 20871 Vimercate (MB)
phone: +39 039 608 3816 / Italy
easmed@EASchangesystems.com